

## C & tan Automatic Measuring Set Model : DAC-ASM-7



DAC-ASM-7 has been designed to perform dielectric dissipation factor ( $\tan \delta$ ) measurement in wide ranges.

Capacitance : 100pF ~ 10  $\mu$ F /  $\tan \delta$  : 0 ~ 100%

Test Voltage can be supplied from AC100V to 12kV. DAC-ASM-7 can measure grounded or ungrounded specimen such as generator, motor, transformer and Insulating Materials precisely with CT & Cs Box built-in High Voltage Current Transformer and Standard Capacitor.

**Application** Generator, Motor, Cable, Transformer, Capacitor, Insulating Materials

**Feature** Capacitance : 0.1nF ~ 10  $\mu$ F Test Voltage AC100V ~ 12kV  
Internal Standard Capacitor (CT&Cs BOX)  
Ground Specimen (GST) or Ungrounded Specimen (UST) under test can be selected.

# C & tan AUTOMATIC MEASURING SET

Model : DAC-ASM-7

## SPECIFICATIONS

Test Voltage : AC100V ~ 12kV 50/60Hz (HV testing power supply is not included)

Test Range : Capacitance 0.1nF ~ 10 μ F

tan 0 ~ 100%

Resolution : Capacitance 0.1pF (1nF Range)

tan 0.001% (2% Range)

Accuracy : Capacitance ± (1%Rdg+2digit)

± (5%Rdg+5digit) 1nF or less

:tan /P.F ± (0.01%+3%Rdg+2digit)

± (0.03%+5%Rdg+2digit) 1nF or less

(however, resolution is 0.01% on GST mode.)

Interface : GP-IB

Power Source : AC100V ~ 240V ± 10% 50/60Hz

Size & Weight : Main Unit (DAC-ASM-7)

· W430 \* H199 \* D385(mm) 15kg

: CT&Cs BOX(DAC-CCB-7)

· W400 \* H320 \* D260(mm) 20kg

Accessory : 1) Measuring Cable (GST, UST) 1 pc each

2) Dedicated Connecting Cables 2pcs

3) AC Cord 1pc

4) Grounding Cable 2pcs

5) Storage Bag 1pc



## CT&Cs BOX (DAC-CCB-7)

Precise current transformer and standard capacitor are built-in DAC-CCB-7. Error of capacitance and tan are input in CPU as compensated values to measure a true value.

HV CT : Rated Current

10 μ F terminal 50A / 1 μ F Terminal 3A

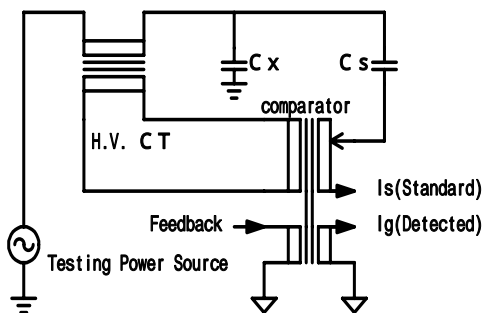
(on continuous measurements 1/10 of rated current.)

Cs : Capacitance 1000pF ± 10%

tan 0.05% or less

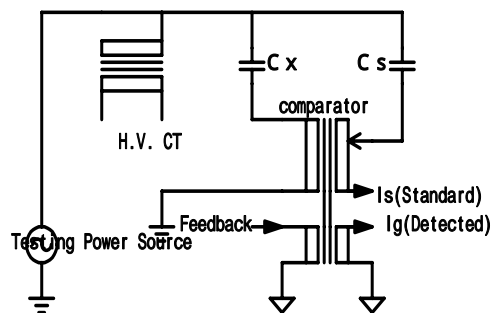
## BLOCK DIAGRAM

GROUNDING SPECIMEN ( GST Measurement )



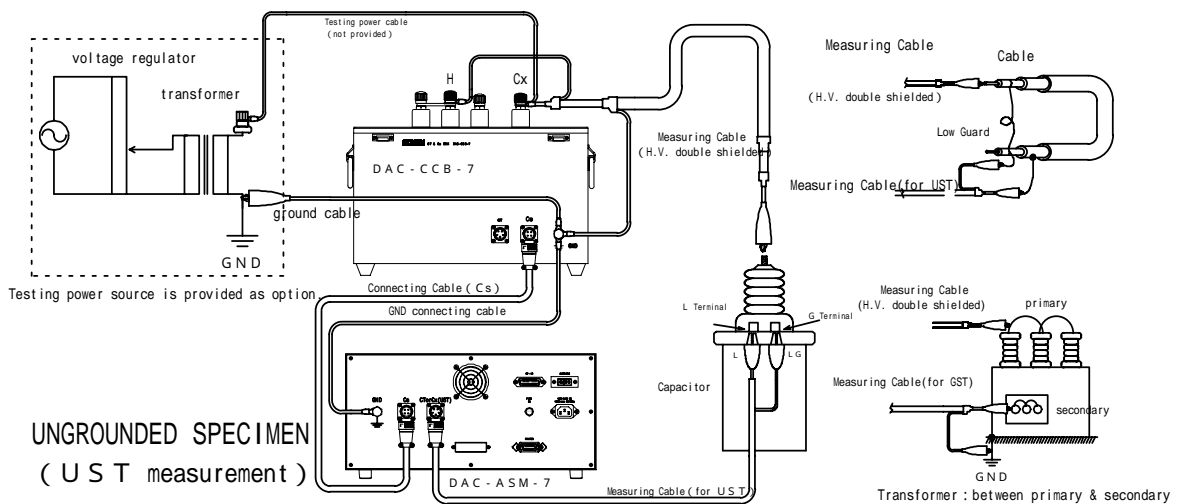
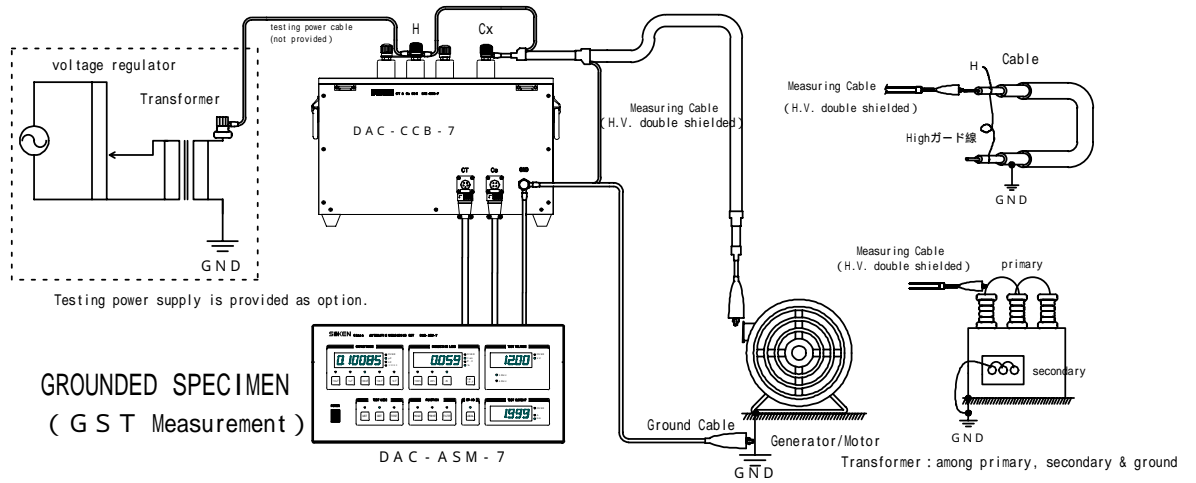
GST: Grounded Specimen Test

UNGROUNDING SPECIMEN ( UST Measurement )

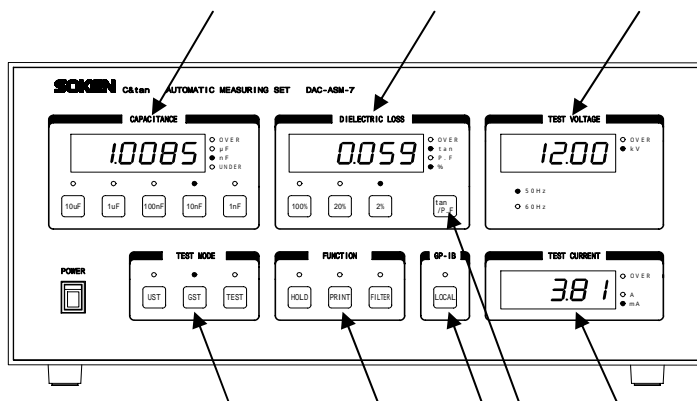


UST: Un-grounded Specimen Test

## CONNECTING DIAGRAM



## EXPLANATION OF THE PANEL



- Capacitance
- Dissipation Power Factor ( $\tan \delta$ )
- Test Voltage
- Test Mode ( GST , UST )
- Print Key
- GP-IB Switch
- $\tan \delta$  / P.F. Selection
- Test Current Display

**C & tan Automatic Measuring Set for High Voltage Equipments**  
(In a transferable cabinet with built-in Testing Power Supply) **Model : DAC-5035**

**Specification** (Testing Voltage 12kV / 1kVA)

Test Voltage : AC1kV ~ 12kV 50 / 60Hz  
Test Range: Capacitance 100pF ~ 10uF(GST Mode)  
          tan 0 ~ 100%  
Resolution : Capacitance 10pF (10nF Range)  
          tan 0.01% (10% Range)  
Capacity : 1kVA  
Power Source : Specified by customer 50 / 60Hz  
Size & Weight : W570 \* H1300 \* D630(mm)  
Approx. 120kg  
Other : 1) Built-in Thermal Printer  
      Specs 2) Alarm Lamp / Buzzer  
          3) Transferable cabinet with wheels  
Accessories : 1) Measuring Cables(GST, UST) 5M 2pcs  
              2) Dedicated Connecting Cables 5M 2pcs  
              3) AC Cord 5M 1pc  
              4) Grounding Cable 5M 2pcs  
              5) Storage Bag 1 pc



**CT & Cs Box filled with SF6 gas for 30kV test DAC-CCB-6**

Precise current transformer and standard capacitor are built-in DAC-CCB-6 together with SF6 Gas. It has been designed to use with C & tan Measuring Set DAC-ASM-7. Testing voltage is converted up to max. 30kV.

Test Voltage : AC30kV  
Permissible Current : Cx < 0.1 μF tap 1A  
                          : Cx > 0.1 μF tap 50A  
Test Frequency : 50 / 60Hz  
Internal Standard  
  Capacitor : Initial Capacitance 1000pF ± 10%  
              : tan less than 0.05%  
Usage Gas and Pressure : SF6 (0.2MPa)  
Size : W347 x D347 x H617(mm)  
Weight : Approx. 35kg



**SOKEN** SOKEN ELECTRIC CO., LTD.

〒182-0035 3-57-124, Kami-Ishihara, Choufu-City, Tokyo  
TEL +81-(0)424-90-6929 FAX +81-(0)424-90-6807  
WWW.SOKEN-JP.COM

Main Office • Factory  
ISO9001Cert Obtained